

## SELF CHECKOUT STATIONS

### COMBO STATIONS



Place the patented CircIT Combo Station Self Checkout System on your circulation desk so staff can easily assist patrons. Thanks to the Combo Station's location and dual screens, staff can assist without leaving the circulation desk and without ending the patron's session.

#### INCLUDED: CIRCIT

The Combo Station Self Checkout System is powered by CircIT, the most powerful, flexible, and feature-rich library self checkout software available. CircIT includes unlimited HTML-based customization features. You can configure self checkout stations to read both RFID tags and barcodes; perform circulation functions; and read and write RFID tags. CircIT includes customizable reporting, receipts, screens, and processes.

#### OPTIONAL PERSONAL PAYMENT SYSTEM

The Personal Payment System is an in-desk "service center" that enables patrons to pay fees or fines. They can pay with cash or credit card, and your library can associate the patron's library card with an account on your library's server.

- Touch screen monitor for patron convenience
- Item checkout in four quick, simple steps
- User interface that you design to fit your patrons' preferences
- Resides on circulation desk with dual monitor screens for easy assistance by staff
- Uses CircIT: feature-rich self checkout software
- Choice of RFID or barcode technology

## FOR RFID OR BARCODE BASED SELF CHECKOUT

## SELF CHECKOUT KIOSKS FOR RFID OR BARCODE



Available with:

- Single or Dual Monitors
- Single or Dual Antennas
- Antenna below counter
- Castors



### ELEGANT

Crafted from natural hardwoods, these self checkout kiosks feature durable cabinetry of extremely high quality.

### CUSTOMIZED

With a choice of raised or flat panels, granite or laminate tops, these kiosks can be manufactured to a look that best fits your library. All tops can be custom cut to accommodate a variety of equipment:

- RFID Antennas
- Barcode scanners
- Payment Systems
- Receipt Printers
- Patron Card Imagers

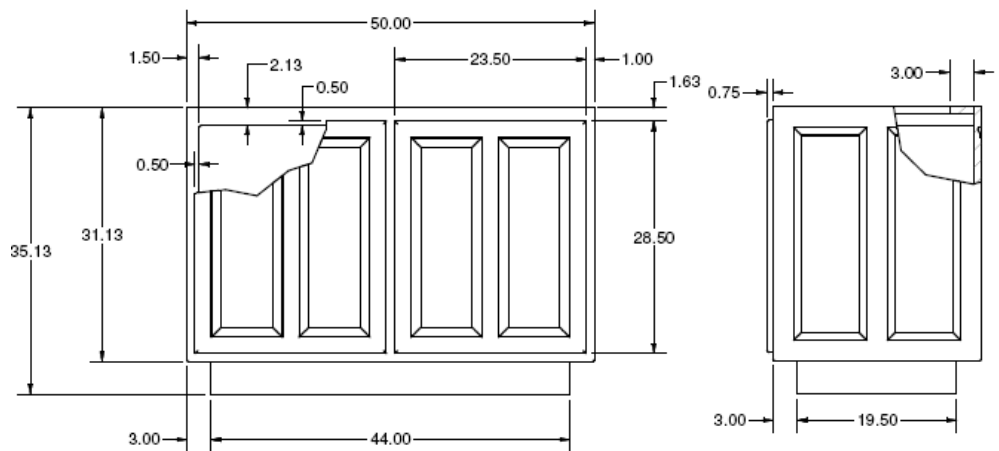
### MULTI-PURPOSE

These kiosks can also serve as staff programming workstations, for writing RFID tags or converting barcoded items to RFID. Dual touch screen monitor configuration allows staff to assist patron transactions.

# CHECKOUT/WORKSTATION KIOSKS DIMENSIONAL SPECIFICATIONS



RAISED PANEL



FLAT PANEL

