



patron card imager



The Patron Card Imager is the latest innovation in card reading technology.

It is accurate, so your staff can spend more time doing library work and less time resolving self check-out issues. A patron places the library card on the glass and the system reads the card's barcode.

Since patrons do not place their cards in a machine, there are fewer moving parts to maintain, and cards do not jam in the card reader.

Easy Receipt Printer Access

Two locks on top of the Patron Card Imager open the unit, and the gas springs lift the printer from a comfortable, ergonomic height.

- Requires minimal maintenance or user intervention.
- Reads key fob style library cards.
- Integrates easily with existing library check-out counters.
- Easy access to the receipt printer.
- Compatible with all Tech Logic software, including CircIT.



www.tech-logic.com

1818 Buerkle Road ♦ White Bear Lake, MN 55110 ♦ Tel: 651.747.0492 ♦ Fax: 651.747.0493



patron

card imager

power requirements

120 V AC, 60 Hz, 2 A

dimensions

Mounting hole dimensions:

13 in. x 13 in. x 13.625 in. (33 x 33 x 34.6 cm)

Flush mount:

13.5 in. x 14 in. x .075 in. (34.3 x 35.6 x 0.2 cm)

Radius: 0.75 TYP (1.9 cm)

7 port usb hub

Corded power supply included

networking

Ethernet connection

printer cable

DB-25 to Centronic-36 pin cable

thermal printer included

Direct thermal printing

Print speed up to 150 mm/sec (5.9 in./sec; 1200 dot lines/second)

high speed thermal

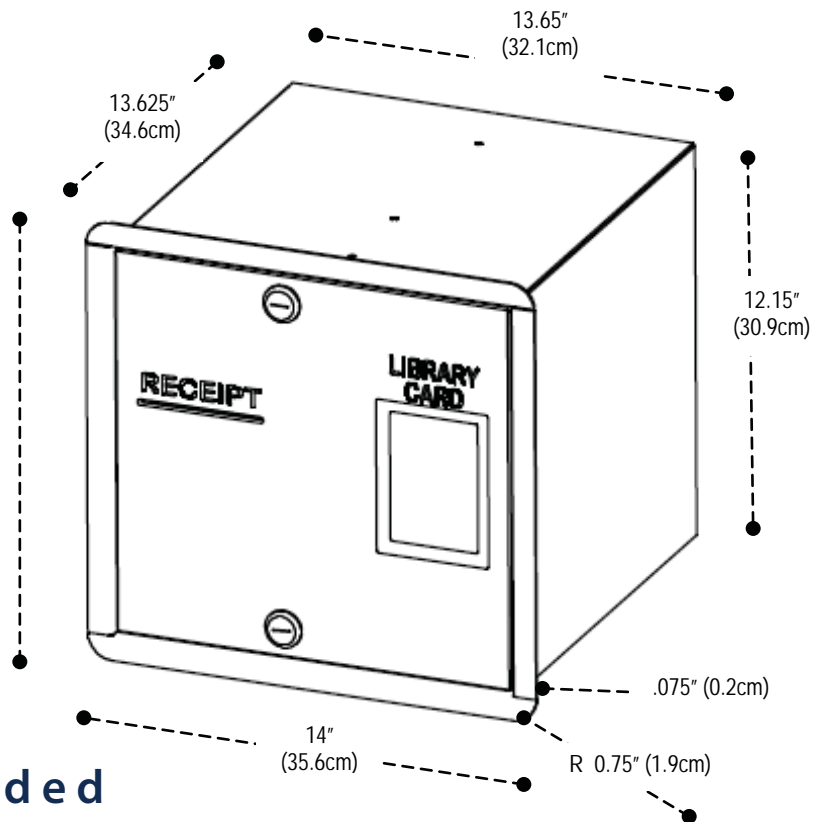
printer paper

Paper width: 80 mm (3.15 in.)

Paper capacity: 152 mm (6 in.) diameter roll with 50 mm diameter core

tech logic part number

PN 45006602



www.tech-logic.com

1818 Buerkle Road ♦ White Bear Lake, MN 55110 ♦ Tel: 651.747.0492 ♦ Fax: 651.747.0493