



Patron *Card Imager*

The Patron Card Imager is the latest innovation in card reading technology. It is accurate, so your staff can spend more time doing library work and less time resolving self check-out issues. A patron places the library card on the glass and the system reads the card's barcode. Since patrons do not place their cards in a machine, there are fewer moving parts to maintain, and cards do not jam in the card reader.

Easy Receipt Printer Access

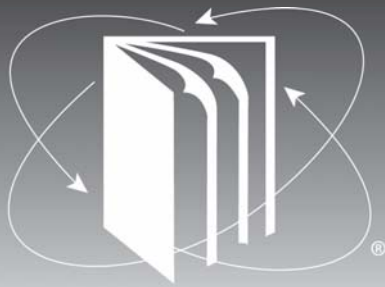
Two locks on top of the Patron Card Imager open the unit, and the gas springs lift the printer to a comfortable, ergonomic height.

- Requires Minimal Maintenance or User Intervention
- Reads Key FOB Style Library Cards
- Integrates Easily with Existing Library Check-Out Counters
- Easy Access to the Receipt Printer
- Compatible with All Tech Logic Software (CircIT™)



www.tech-logic.com

1818 Buerkle Road ◊ White Bear Lake, MN 55110 ◊ Tel: 651.747.0492 ◊ Fax: 651.747.0493



techlogic
specifications

Patron

Card Imager

Power Requirements

120 V AC, 60 Hz, 2 A

Mounting Hole Dimensions

- 13 x 13 x 13.625 in. (33 x 33 x 34.6 cm)
- Flush Mount: 13.5 x 14 x 0.075 in. (34.3 x 35.6 x 0.2 cm)
- Radius: 0.75 TYP (1.9 cm)

7-Port USB Hub

Corded Power Supply (Included)

Networking

All Devices Connected to PC via USB Connection

Thermal Printer

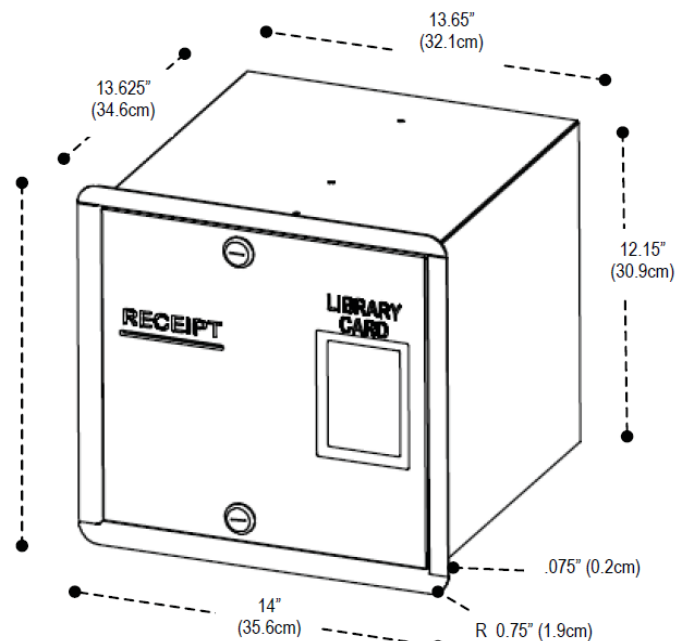
- Direct Thermal Printing Included
- Print Speed Up to 5.9 in./sec (150 mm/sec; 1200 dot lines/sec)

High Speed Thermal Printer Paper

- Paper width: 3.15 in. (80 mm)
- Paper capacity: 6 in. (152 mm) Diameter Roll with 1.9 in. (50 mm) Diameter Core

Part Number

45006602



www.tech-logic.com

1818 Buerkle Road ◊ White Bear Lake, MN 55110 ◊ Tel: 651.747.0492 ◊ Fax: 651.747.0493