



personal payment system

The Personal Payment System enables patrons to pay fines and any associated fees during check-out using a variety of payment methods.

Key Features

- Integrates easily with existing library check-out counters
- Easy access to the large capacity receipt printer and coin collector
- Ability to read key FOB style library cards
- Includes credit/debit card swipe, bill acceptor, and coin acceptor with change return
- Compatible with all of Tech Logic's software, including CircIT™



Less Maintenance

Patrons place their library cards on the imager and the system reads the barcode on the library card. Since patrons do not place their cards in a machine, there are fewer moving parts to maintain, and the imager eliminates the problem of cards becoming jammed in the card reader.



Easy to Use

The check-out software notifies patrons if they have fines or associated fees, and they can pay the fine using cash, coins, or credit cards. Your library can associate the patron's library card with an account on the library's server.

Easy Integration

Tech Logic's Personal Payment System can be flush-mounted to the library's check-out counter.

Easy Receipt Printer Access

Receipt printer and coin collector access is easy. Two locks on top of the Personal Payment System open the unit and the gas springs slowly lift the unit above the countertop. The operator can change receipt paper or empty the coin collector at a comfortable ergonomic height.

www.tech-logic.com

1818 Buerkle Road ♦ White Bear Lake, MN 55110 ♦ Tel: 651.747.0492 ♦ Fax: 651.747.0493



personal payment system

Features

- Credit Card Swipe
- Bill Validator
- Patron Card Imager
- Six Tube Coin Collector Accepts Quarters, Dimes, Nickels, and Dollar Coins
- Overflow Tray
- Large Capacity Printer

Power Requirements

120 V AC, 60 Hz, 2.2 Amps

Dimensions

- Mounting Hole Dimensions: 15 x 13.25 in. (38.1 x 33.7 cm)
- Radius: 0.25 in. (6.35 mm)
- Flush Mount: 16 x 14 in. (40.64 x 35.6 cm)

7 - Port USB Hub

Corded Power Supply (Included)

Networking

Ethernet Connection

Printer Cable

USB

Thermal Printer

- Direct Thermal Printing Included
- Print Speed Up to 15.9 in./sec (50 mm/sec; 1200 dot lines/second)

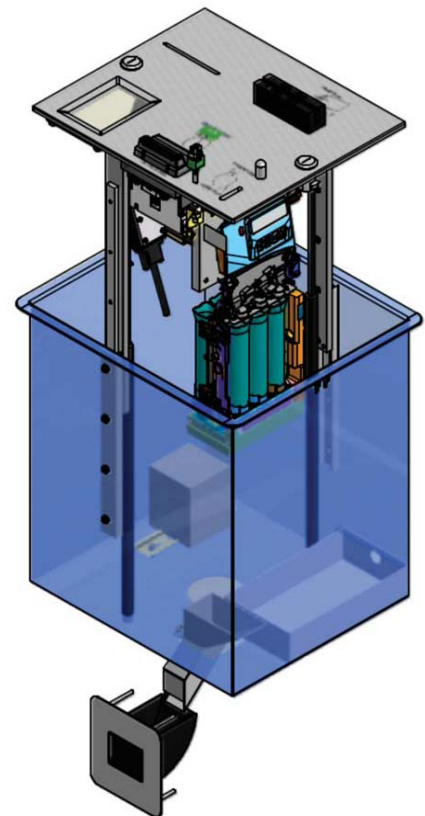
High Speed Thermal Printer Paper

- Paper Width: 3.15 in. (80 mm)
- Paper Capacity: 6 in. (152 mm) Diameter Roll with 1.9 in. (50 mm) Diameter Core

Part Number

US Currency: **45007207**

Printer Paper: **25009664**



www.tech-logic.com

1818 Buerkle Road ◊ White Bear Lake, MN 55110 ◊ Tel: 651.747.0492 ◊ Fax: 651.747.0493