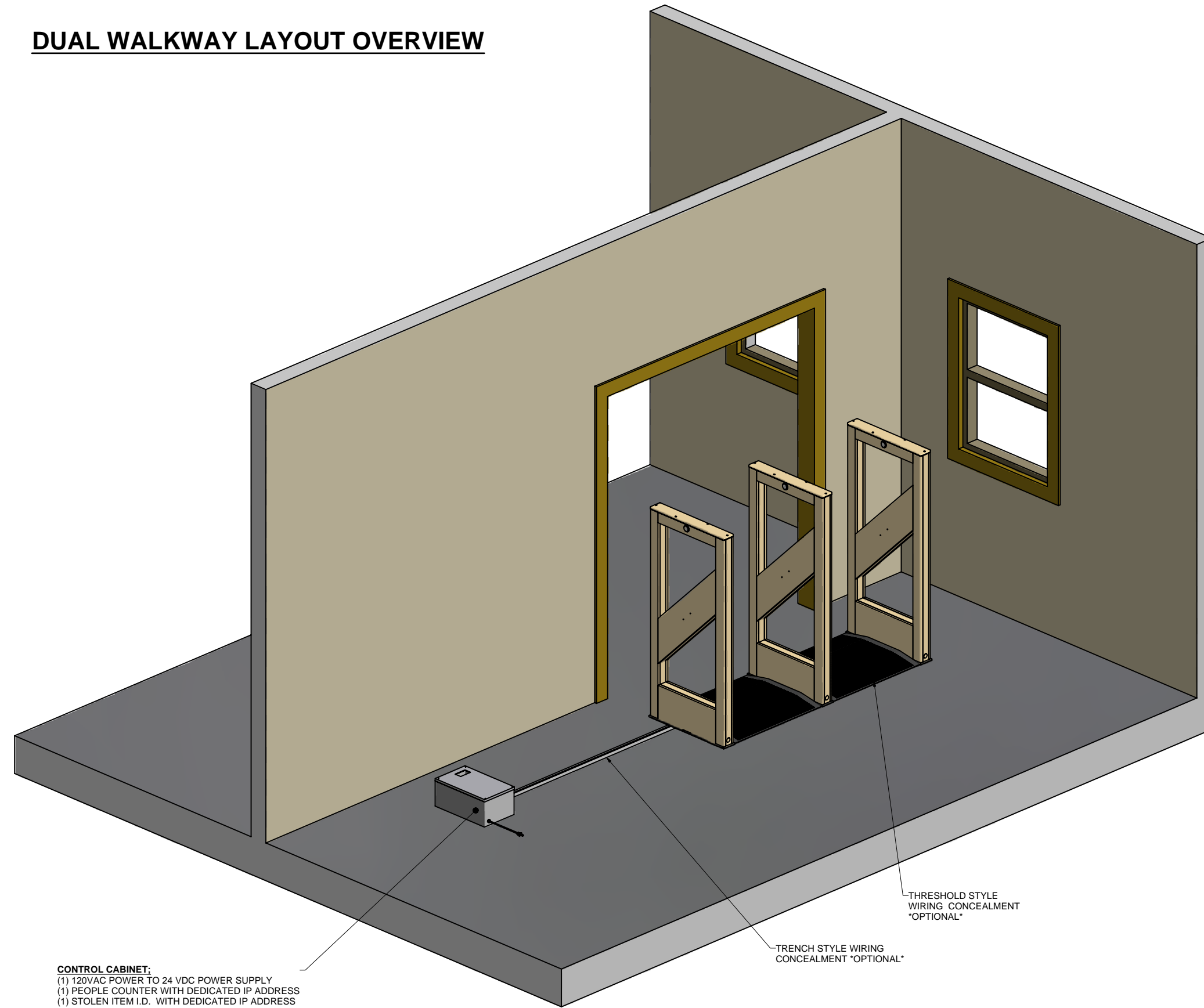


# DUAL WALKWAY LAYOUT OVERVIEW



**CONTROL CABINET:**  
 (1) 120VAC POWER TO 24 VDC POWER SUPPLY  
 (1) PEOPLE COUNTER WITH DEDICATED IP ADDRESS  
 (1) STOLEN ITEM I.D. WITH DEDICATED IP ADDRESS  
 (2) CAT5-E ETHERNET CABLES.  
 \*SUGGESTED LOCATION OF POWER SUPPLY TO BE WITHIN 25 FEET OF GATE LOCATION\*

THRESHOLD STYLE WIRING CONCEALMENT \*OPTIONAL\*

TRENCH STYLE WIRING CONCEALMENT \*OPTIONAL\*

PROJ NO:		REVISION:	2000000
DRW	JWS	01/20/06	PROTECTIVE
ENGR	JWS	01/20/06	FINISH
APPD	JWS	01/20/06	2100000
1-REV	N/A	N/A	

**Overview, Installation, Gates,  
Feig, Dual Walkway**

MATL: N/A

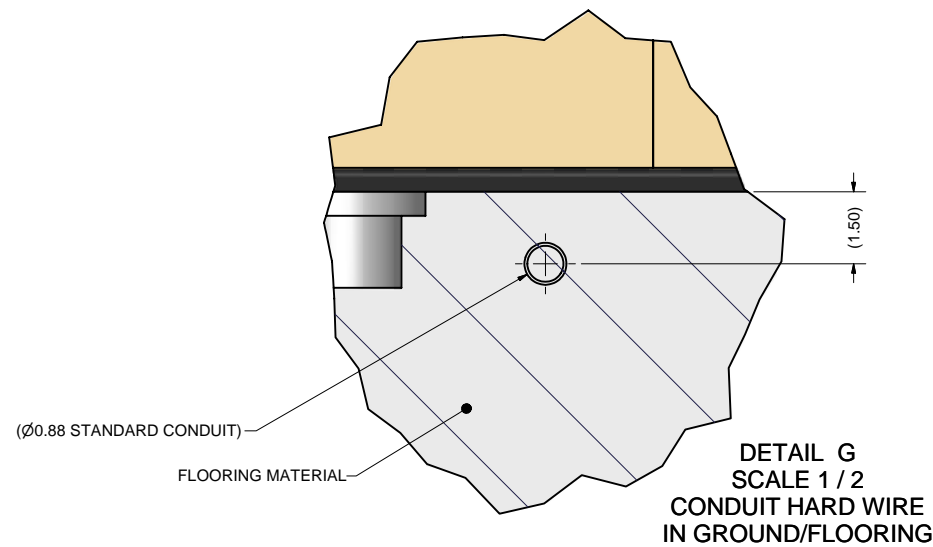
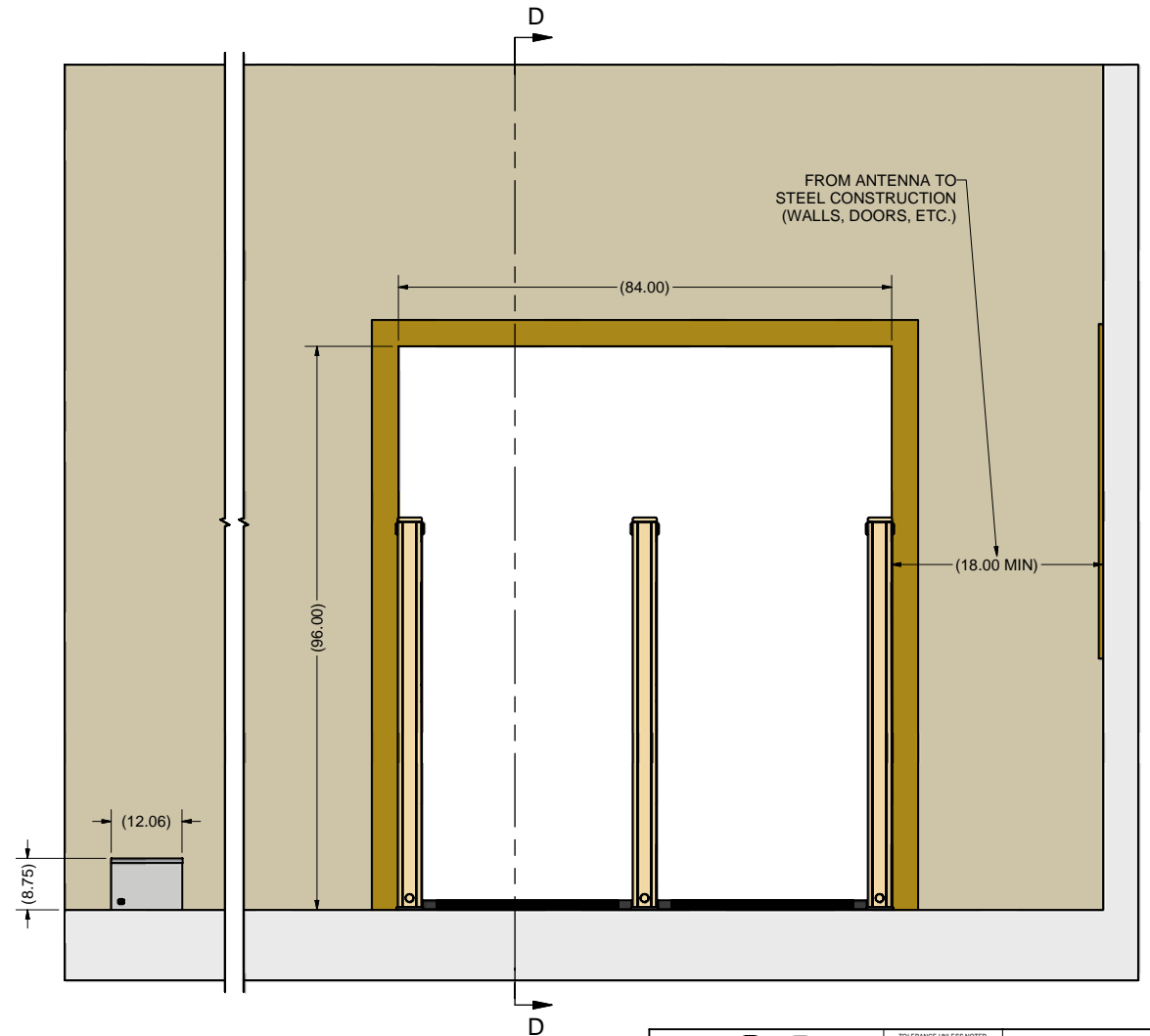
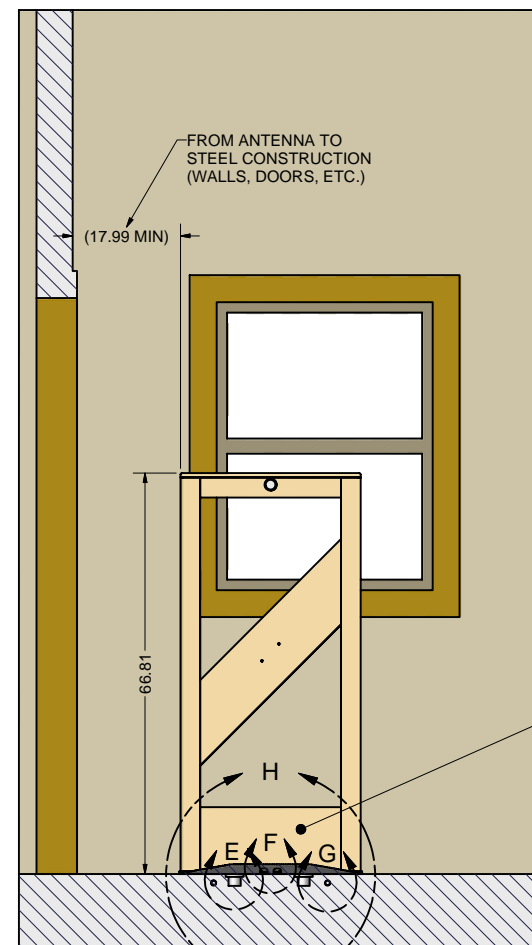
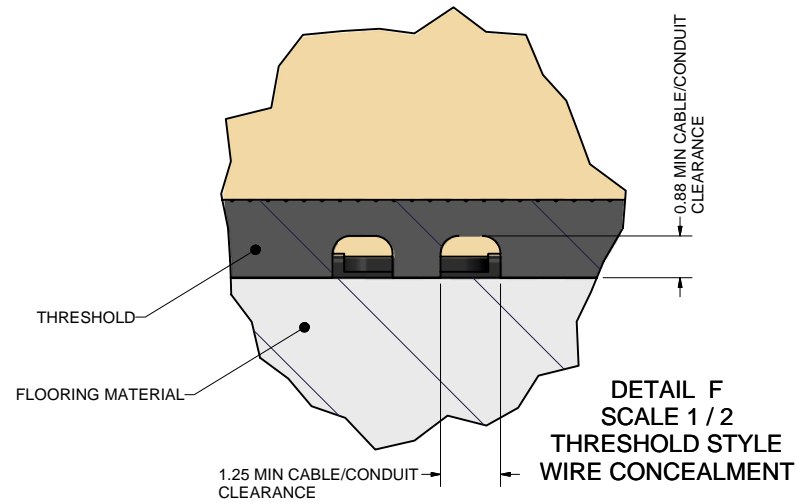
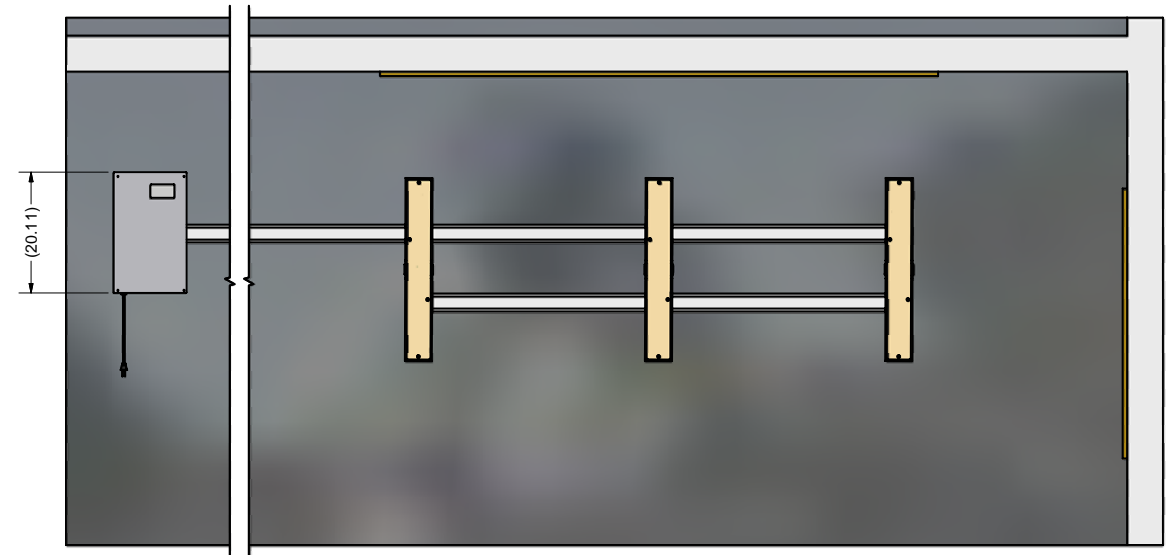
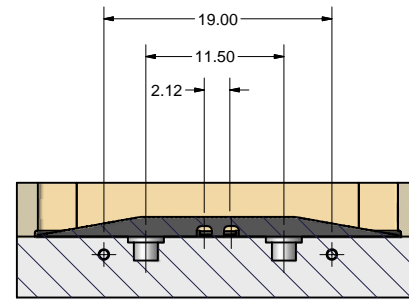
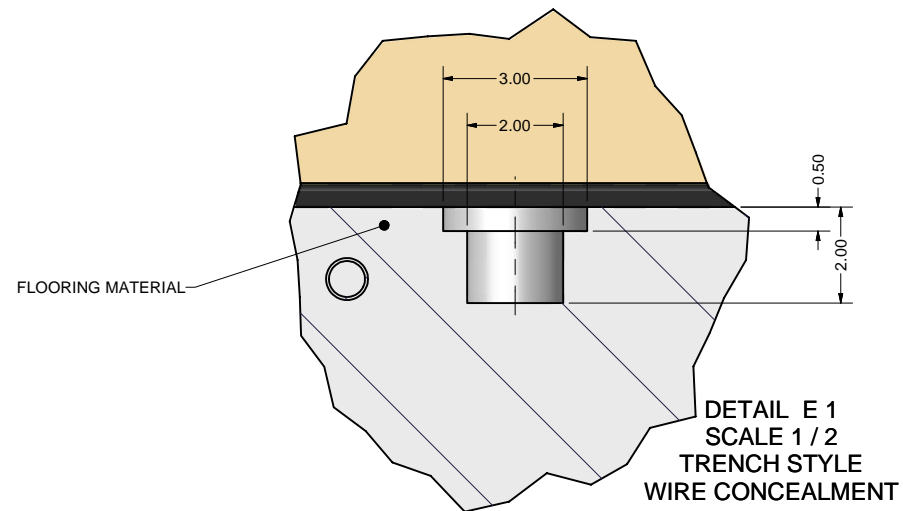
SCALE: SEE DETAIL

PART NO: 45006235

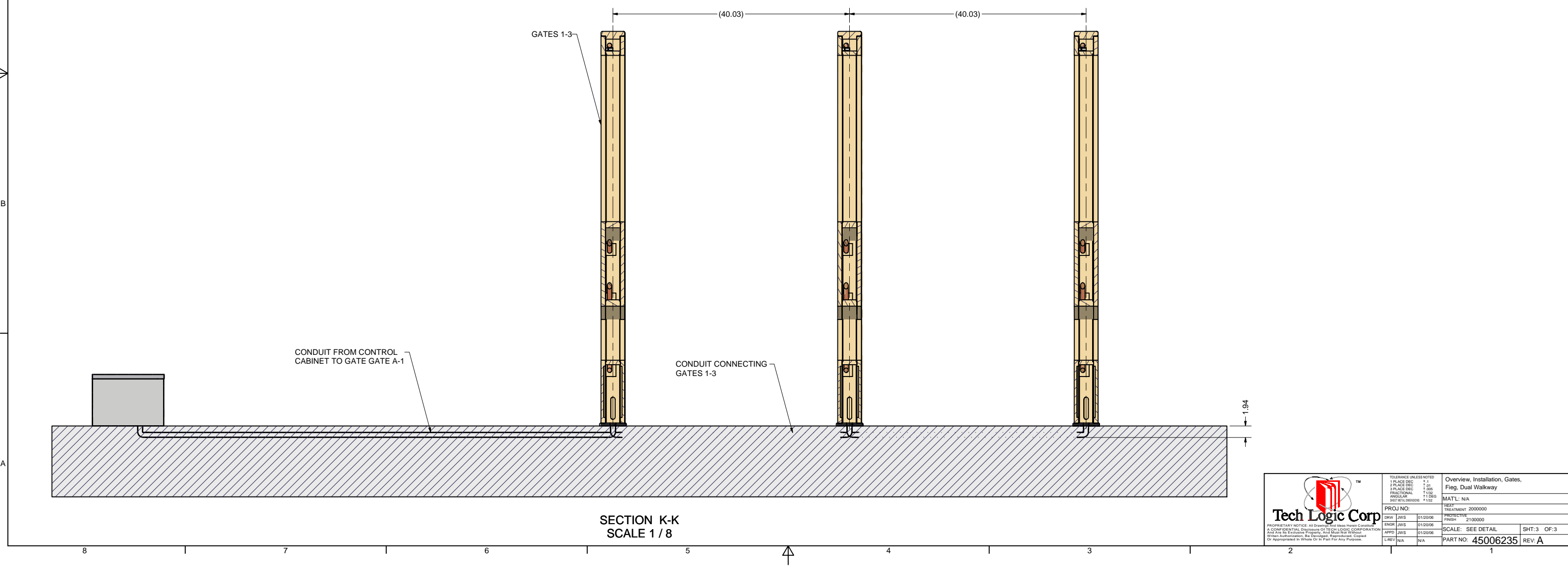
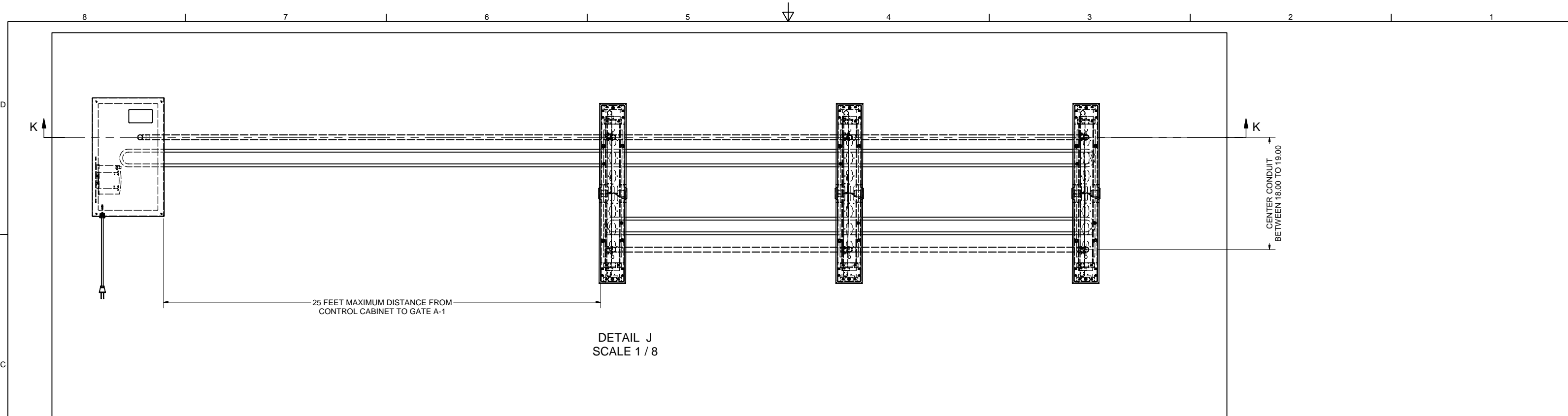
SHT: 1 OF 3  
 REV: A  

 PROPRIETARY NOTICE: All Drawings and Items herein constitute a CONFIDENTIAL Disclosure of TECH LOGIC CORPORATION and shall remain the property of TECH LOGIC CORPORATION. No part of this drawing may be reproduced, stored in a retrieval system, or transmitted in any form or by any means, electronic, mechanical, photocopying, recording, or by any information storage and retrieval system, without the prior written permission of TECH LOGIC CORPORATION.

# DUAL WALKWAY LAYOUT



		TOLERANCE UNLESS NOTED: 1 PLACE DEC +1 2 PLACE DEC +0.01 3 PLACE DEC +0.005 ANGULAR ±1 DEG HOLE DIA. ±0.005		Overview, Installation, Gates, FEIG ,Dual Walkway MATL: N/A	
PROJ NO:	REV:	TREATMENT	2000000	SCALE:	SEE DETAIL
DRW: JWS	01/20/06	PROTECTIVE	2100000	PART NO:	45006235
ENGR: JWS	01/20/06	FINISH		REV:	A
APPR: JWS	01/20/06				
L-REV:	N/A				



		TOLERANCE UNLESS NOTED 1 PLACE DEC + .1 2 PLACE DEC + .01 3 PLACE DEC + .005 FRACTIONAL + 1/32 ANGULAR + 1 DEG HOLE DIA. UNLESS NOTED + .002		Overview, Installation, Gates, Fig. Dual Walkway MATL: N/A	
		PROJ NO: _____ TREATMENT 2000000	PROTECTIVE FINISH 2100000	SCALE: SEE DETAIL	
PROPRIETARY NOTICE: All Drawings and Ideas, herein contained, are the confidential property of TECH LOGIC CORPORATION. All rights are reserved. No part of this drawing may be reproduced, stored in a retrieval system, or transmitted in any form or by any means, electronic, mechanical, photocopying, recording, or by any information storage and retrieval system, without the prior written permission of Tech Logic Corporation.	APPD JWS 01/20/06 L-REV N/A N/A	PART NO: 45006235	REV: A		